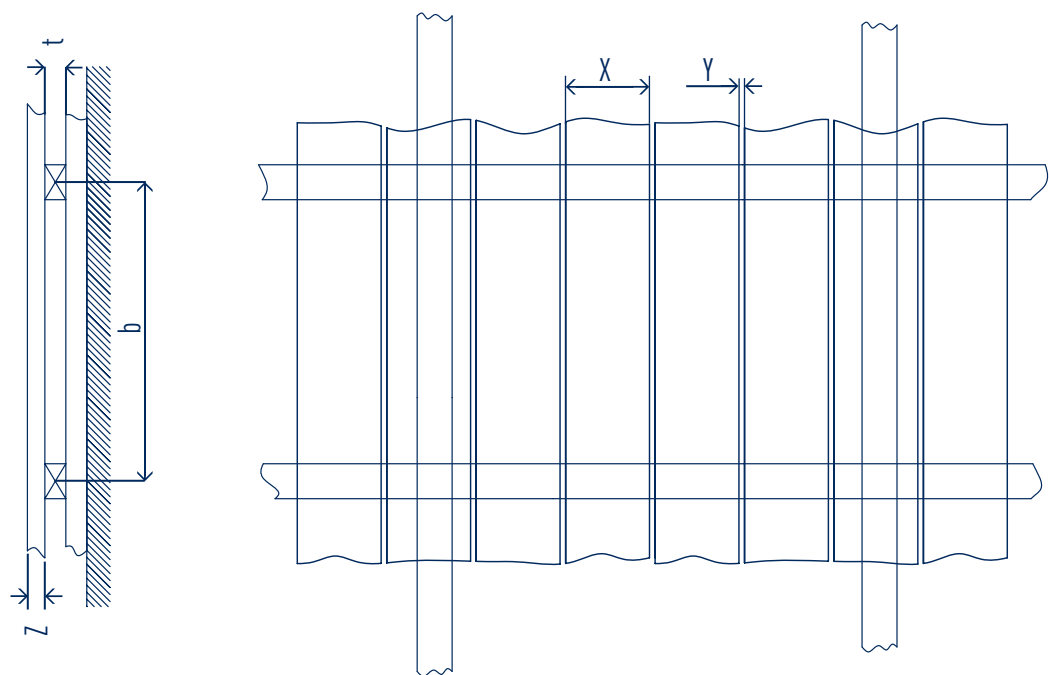


Guide

Facade quantity determination for application specialists



Executing firm*			
Contact person*			
Postcode*		Location*	
Telephone*		Fax	
Email*			
Construction project*			

Our online dimensioning software is available at www.sihga.com at all times!

Roof cladding material*	<input type="text"/>
X =	<input type="text"/> (board width)
Y =	<input type="text"/> (joint width)*
Z =	<input type="text"/> (board thickness)*
Substructure	<input type="checkbox"/> Wood <input type="checkbox"/> Alu
t =	<input type="text"/> substructure thickness*
b =	<input type="text"/> (substructure spacing)*

Attachment*	
Visibly attached	KompeFix <input type="checkbox"/>
Non-visibly attached	RomboFix <input type="checkbox"/>
	Facade clip <input type="checkbox"/>
Total surface*	<input type="text"/> m ²

*Please complete in full.
No dimensioning can be performed otherwise!

Dimensioning template

Quantity determination for facade

Quantity determination (without reserve)

Substructure: $\frac{\text{Surface (m}^2\text{)}}{b \text{ (m)}} =$ Substructure (running metres) for KompeFix quantity determination

Façade fastening: $\frac{\text{Surface (m}^2\text{)}}{b \text{ (m)}} =$ Substructure (running metres)

$\frac{\text{Substructure (running metres)}}{(X+Y) \text{ (m)}} =$ Attachment (unit)
 (Calculate visible screw connection twice, except in the case of single attachment)

Accessories:

Depth gauge	<input type="checkbox"/>
KompeFix	<input type="checkbox"/>
FugiFix	<input type="checkbox"/>

Note:

Theoretical number of products + 15% surcharge = number of products for the offer.

*Please complete in full.
 No dimensioning can be performed otherwise!